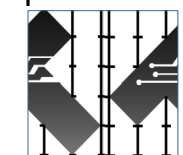
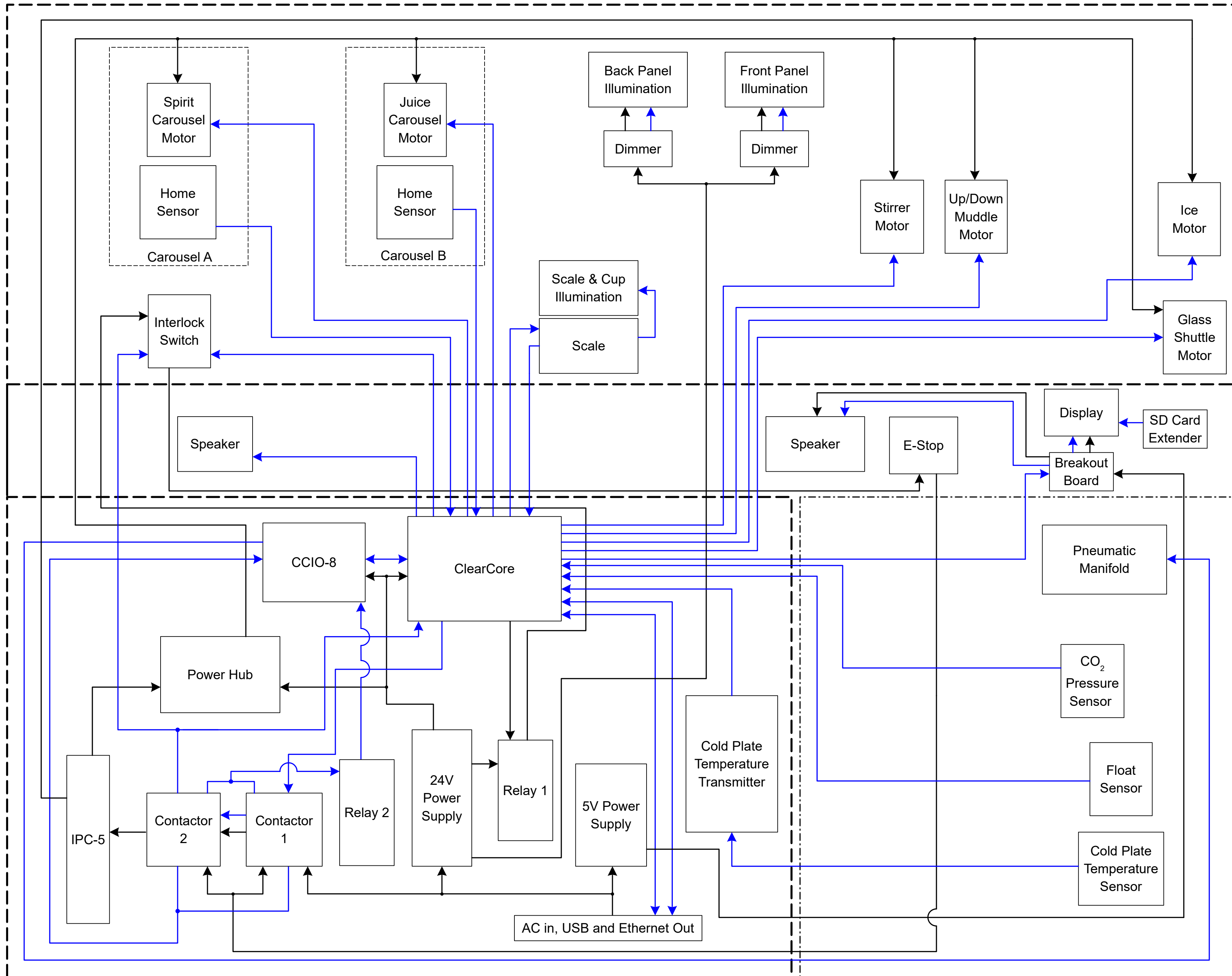


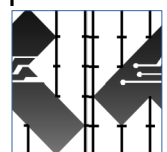
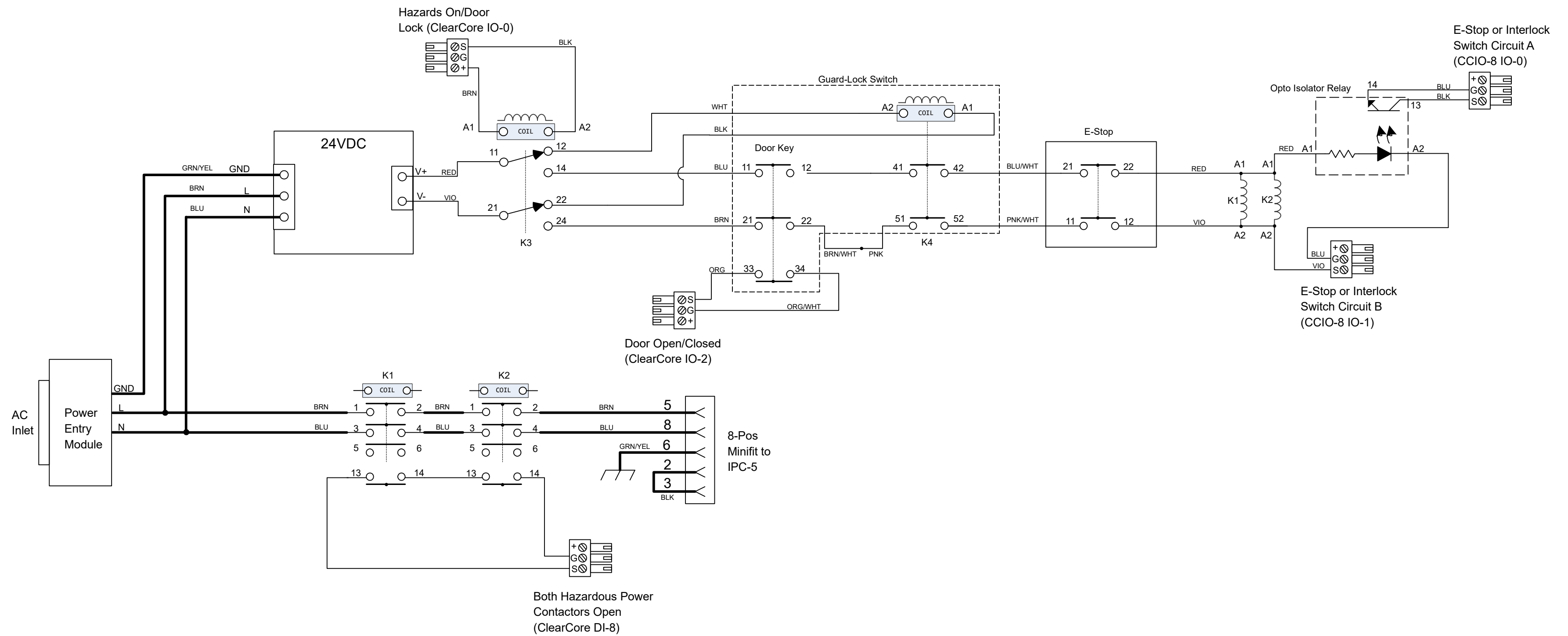
REV	DESCRIPTION	DATE	ECO#	EDITED	REVIEW
A	Initial Drawing	6/4/2020	n/a	EG	n/a



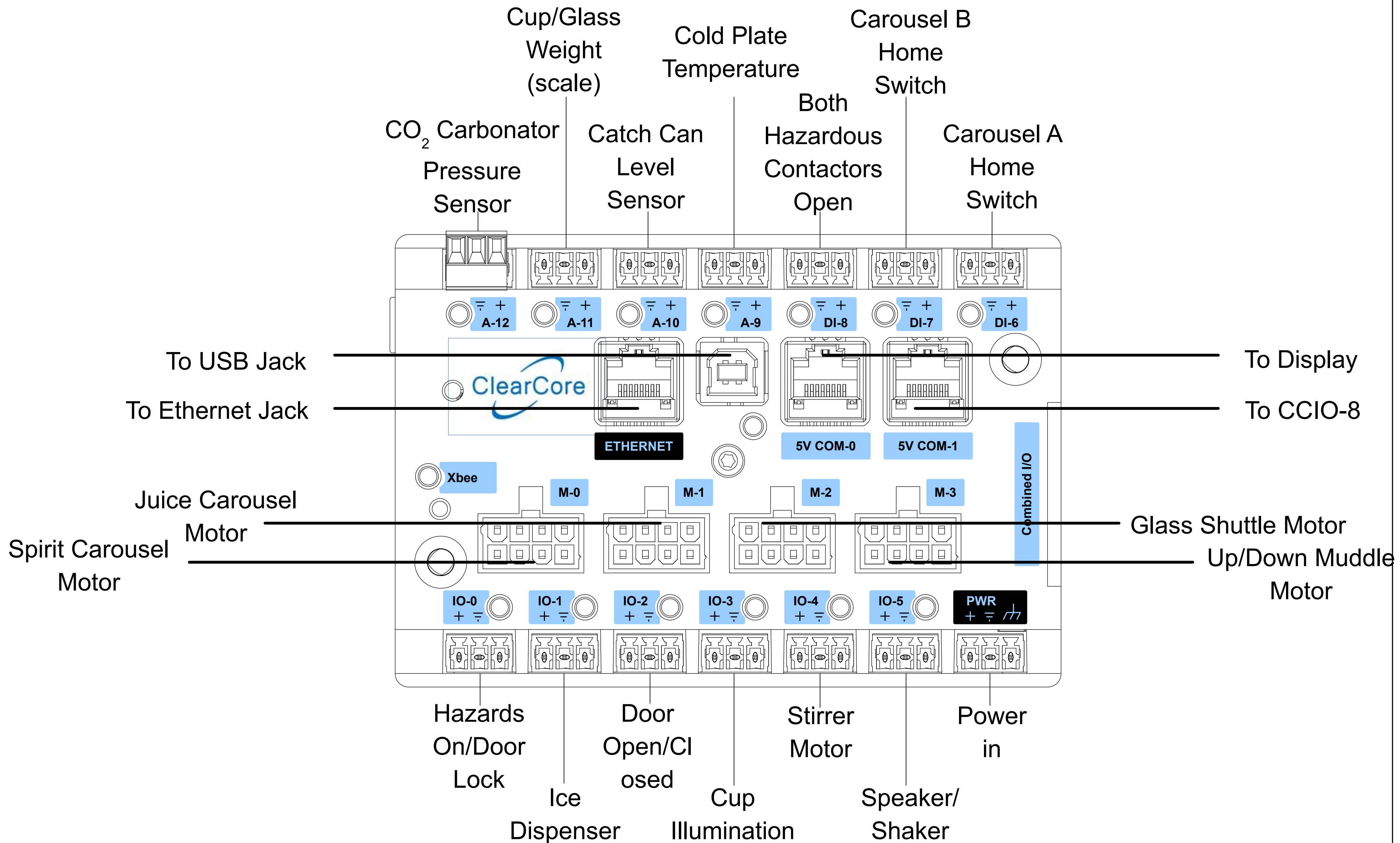
**MANUFACTURING AND TEST NOTES**

REV	DESCRIPTION	DATE	ECO#	EDITED	REVIEW
A	Initial Drawing	6/4/2020	n/a	EG	n/a

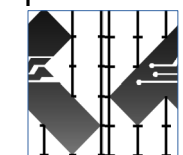
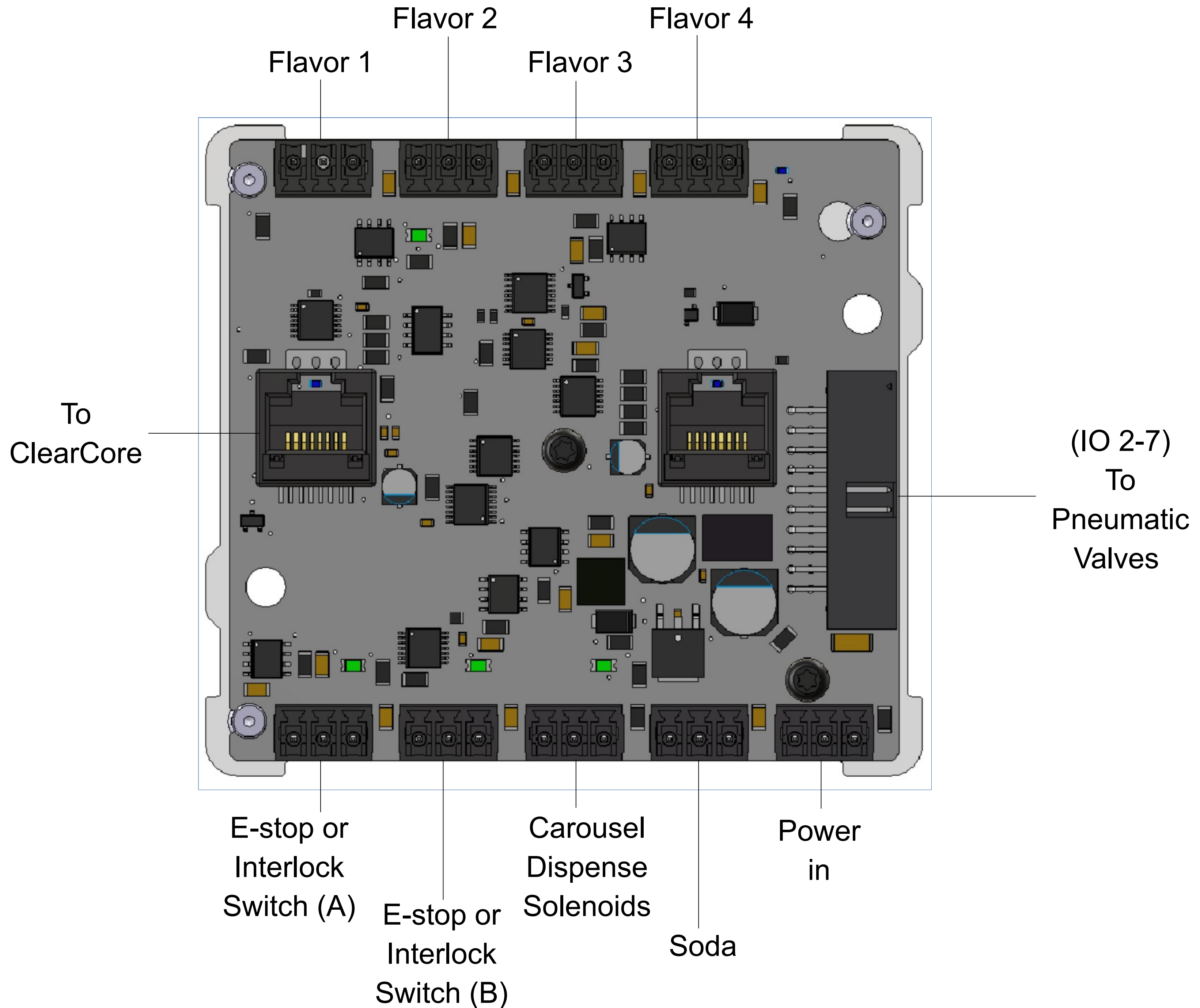
-Any wire that will be inserted into a terminal block (ClearCore, CCIO-8) or wire insertion terminal (contactors, relays, power supplies) should be terminated with the appropriate AWG wire ferrule  
 -Thicker wires shown are 16 AWG and thinner wires are 24 AWG



REV	DESCRIPTION	DATE	ECO#	EDITED	REVIEW
A	Initial Drawing	6/4/2020	n/a	EG	n/a



REV	DESCRIPTION	DATE	ECO#	EDITED	REVIEW
A	Initial Drawing	6/4/2020	n/a	EG	n/a

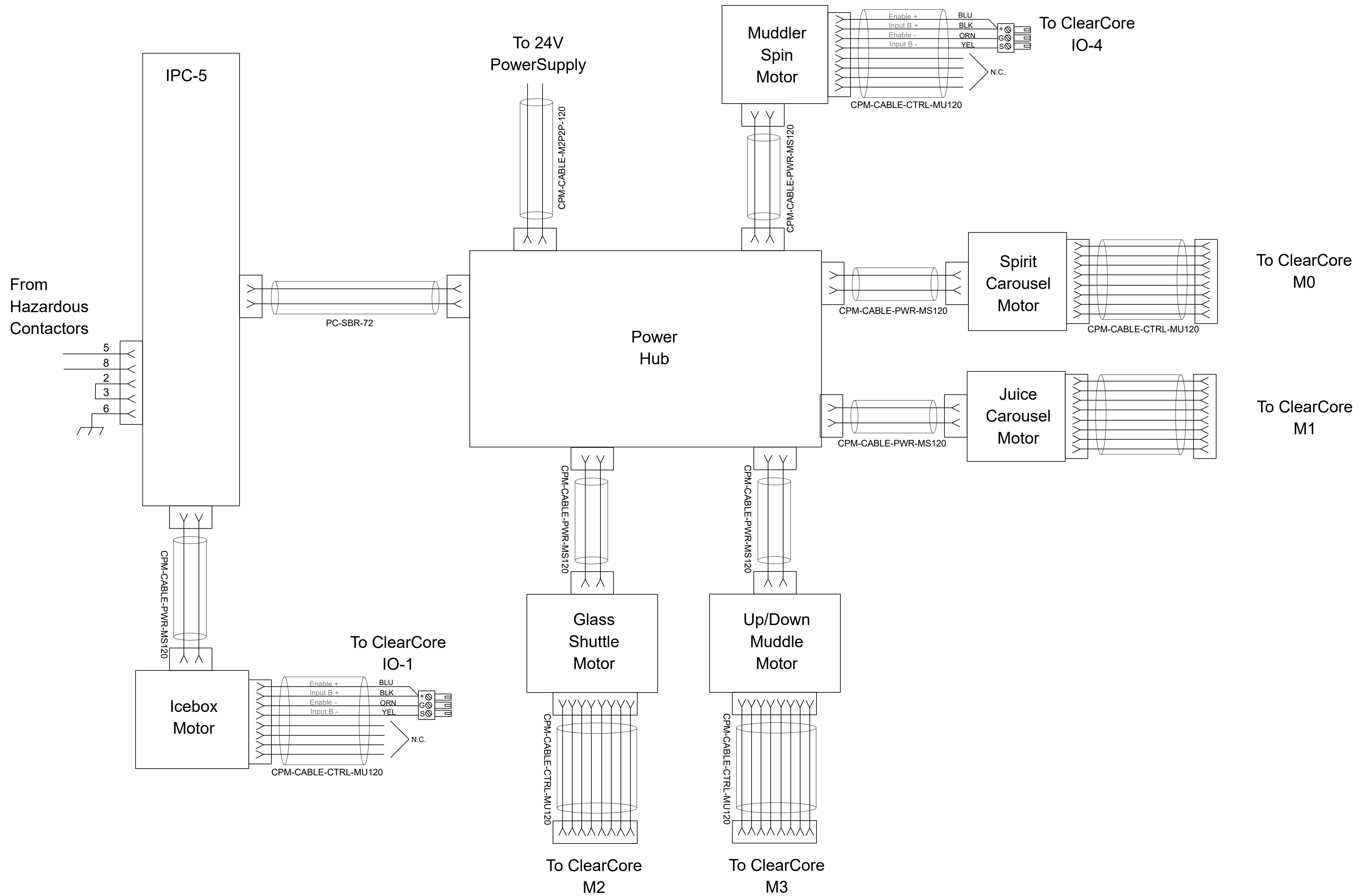




**MANUFACTURING AND TEST NOTES**

REV	DESCRIPTION	DATE	ECO#	EDITED	REVIEW
A	Initial Drawing	6/4/2020	n/a	EG	n/a

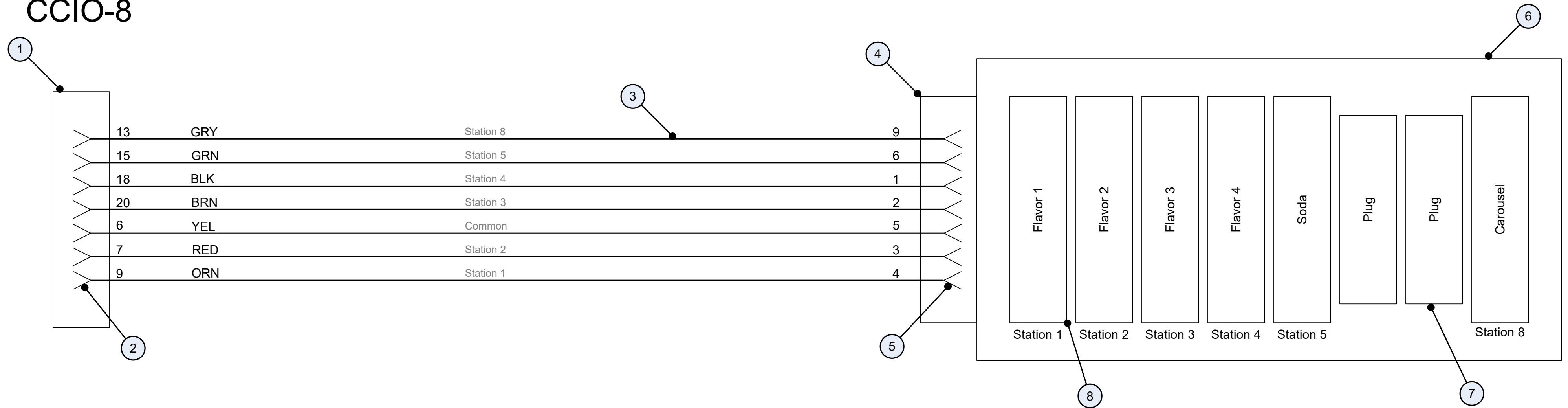
-Any wire that will be inserted into a terminal block (ClearCore, CCI0-8) or wire insertion terminal (contactors, relays, power supplies) should be terminated with the appropriate AWG wire ferrule



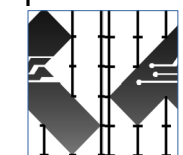
ITEM	QTY	DESCRIPTION	MFG	MFG PN	TEKNIC PN	LENGTH
Description			Part Number		Rev	
System Block Diagram			ClearPour		A	

REV	DESCRIPTION	DATE	ECO#	EDITED	REVIEW
A	Initial Drawing	6/4/2020	n/a	EG	n/a

(IO 2-7)  
From  
CCIO-8



8	6	Solenoid Valve, 3 Port, 2 Position, N.C.	NITRA	BVS-32C1-24D	-	-
7	2	Banking Plug	NITRA	BVM-3BP	-	-
6	1	Pneumatic Modular Valve Manifold, 8 Stations	NITRA	BVM-3825	-	-
5	7	Connector Socket 24-28 AWG Crimp Gold	TE	66505-9	-	-
4	1	Connector D-Sub Housing 9 POS	TE	205203-8	-	-
3	7	24 AWG wire (various colors)			-	-
2	1	Connector Socket 22-26 AWG Crimp Gold	TE	87756-4	-	-
1	7	Housing, 20 Position, 0.100 POL DUAL	AMP	102387-4	-	-
ITEM	QTY	DESCRIPTION	MFG	MFG PN	TEKNIC PN	LENGTH

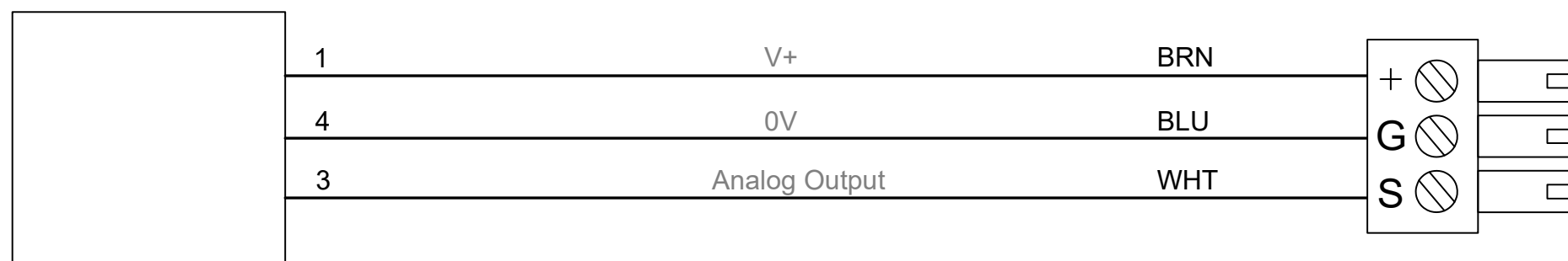


**MANUFACTURING AND TEST NOTES**

REV	DESCRIPTION	DATE	ECO#	EDITED	REVIEW
A	Initial Drawing	6/4/2020	n/a	EG	n/a

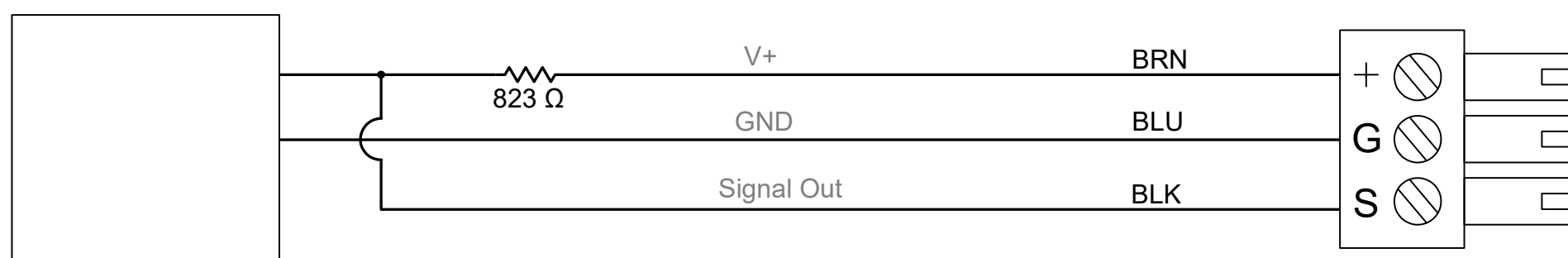
-Any wire that will be inserted into a terminal block (ClearCore, CCIO-8) or wire insertion terminal (contactors, relays, power supplies) should be terminated with the appropriate AWG wire ferrule

**CO2 Pressure Sensor**



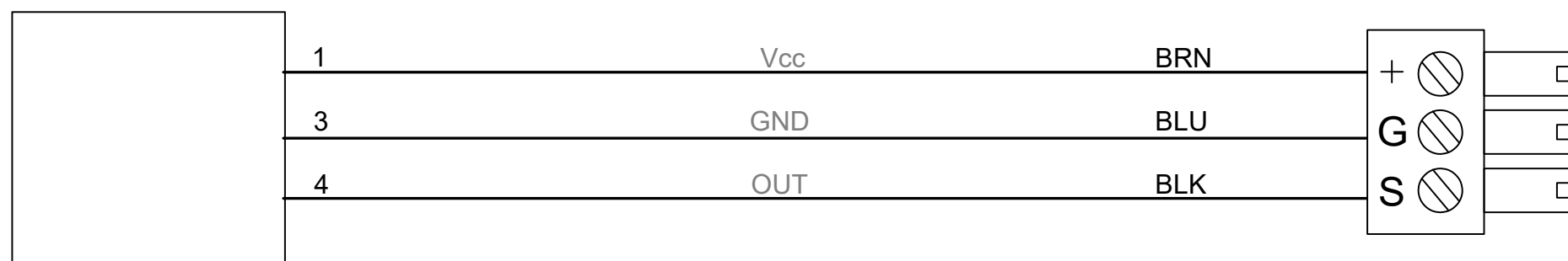
To ClearCore A-12

**Catch Can Level (Float) Sensor**



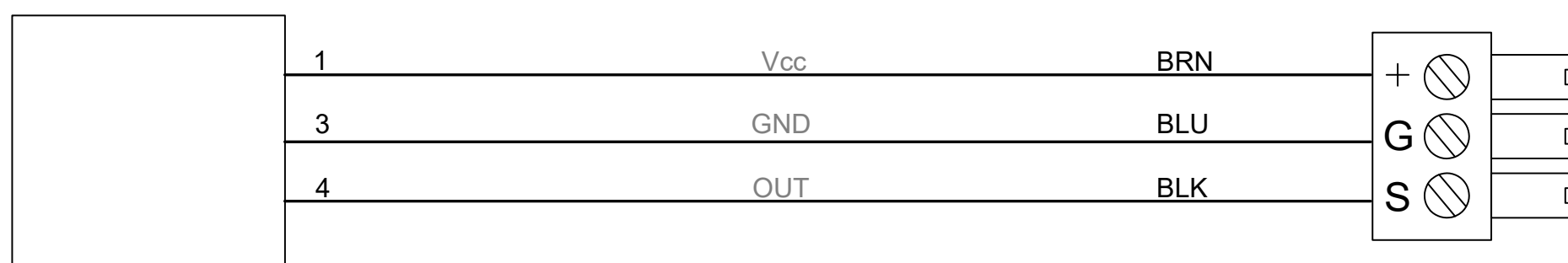
To ClearCore A-10

**Carousel A Home Sensor**



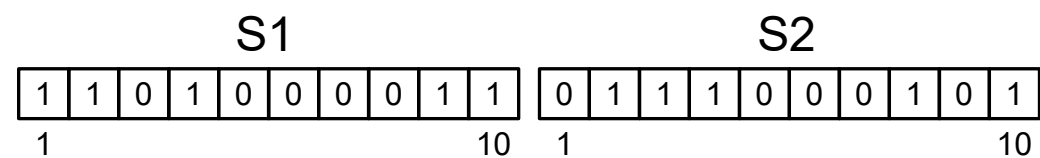
To ClearCore DI-6

**Carousel B Home Sensor**

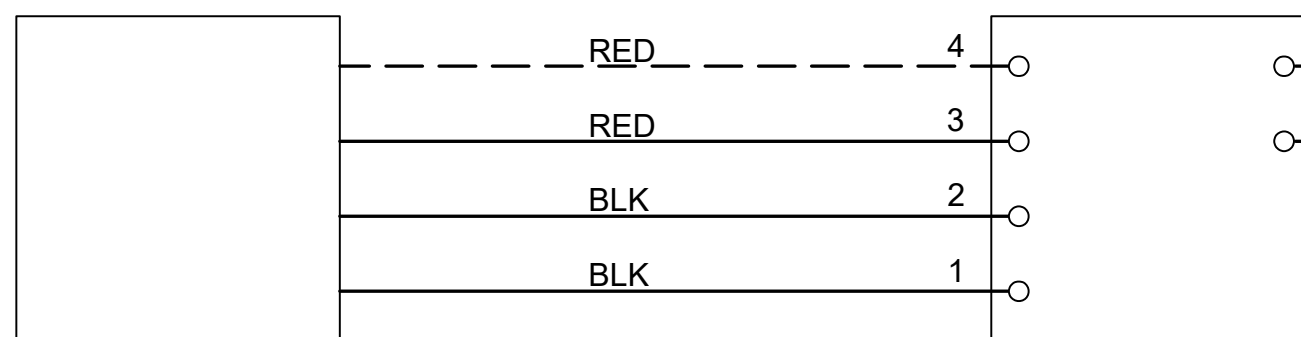


To ClearCore DI-7

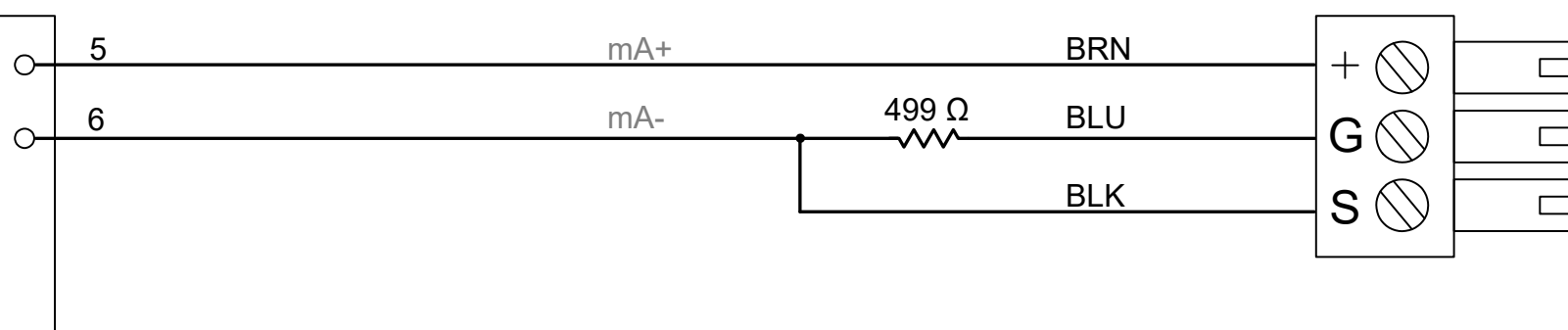
Switch View for Temperature Transmitter (0 = off, 1 = on)  
\*Subject to Change Depending on Chosen Sensor\*



**Ice Plate Temperature Sensor**



**Ice Plate Temperature Transmitter**



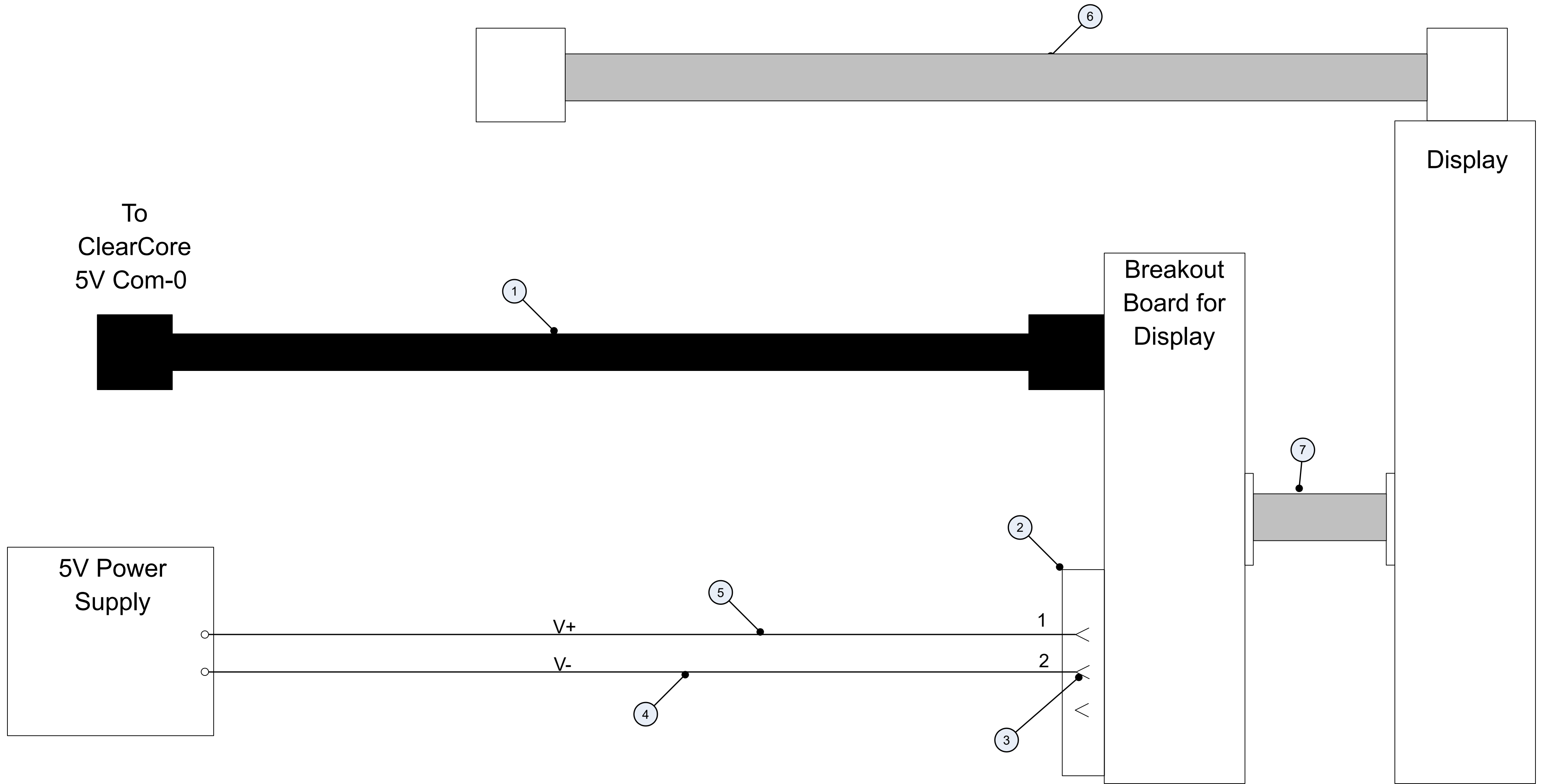
To ClearCore A-9

ITEM	QTY	DESCRIPTION	MFG	MFG PN	TEKNIC PN	LENGTH
------	-----	-------------	-----	--------	-----------	--------

**MANUFACTURING AND TEST NOTES**

REV	DESCRIPTION	DATE	ECO#	EDITED	REVIEW
A	Initial Drawing	6/4/2020	n/a	EG	n/a

-Any wire that will be inserted into a terminal block (ClearCore, CCI0-8) or wire insertion terminal (contactors, relays, power supplies) should be terminated with the appropriate AWG wire ferrule



7	1	Ribbon Cable 30 POS			-	-
6	1	SD Card Extender	LANMU		-	-
5	2	24 AWG Wire, Red			-	-
4	2	24 AWG Wire, Black			-	-
3	2	Connector Socket 20-24 AWG Crimp Gold	Molex	0430300008	-	-
2	1	Connector, 3 Position, 3mm Single Row	Molex	0436450300	-	-
1	1	RJ45 Ethernet Cable			-	-

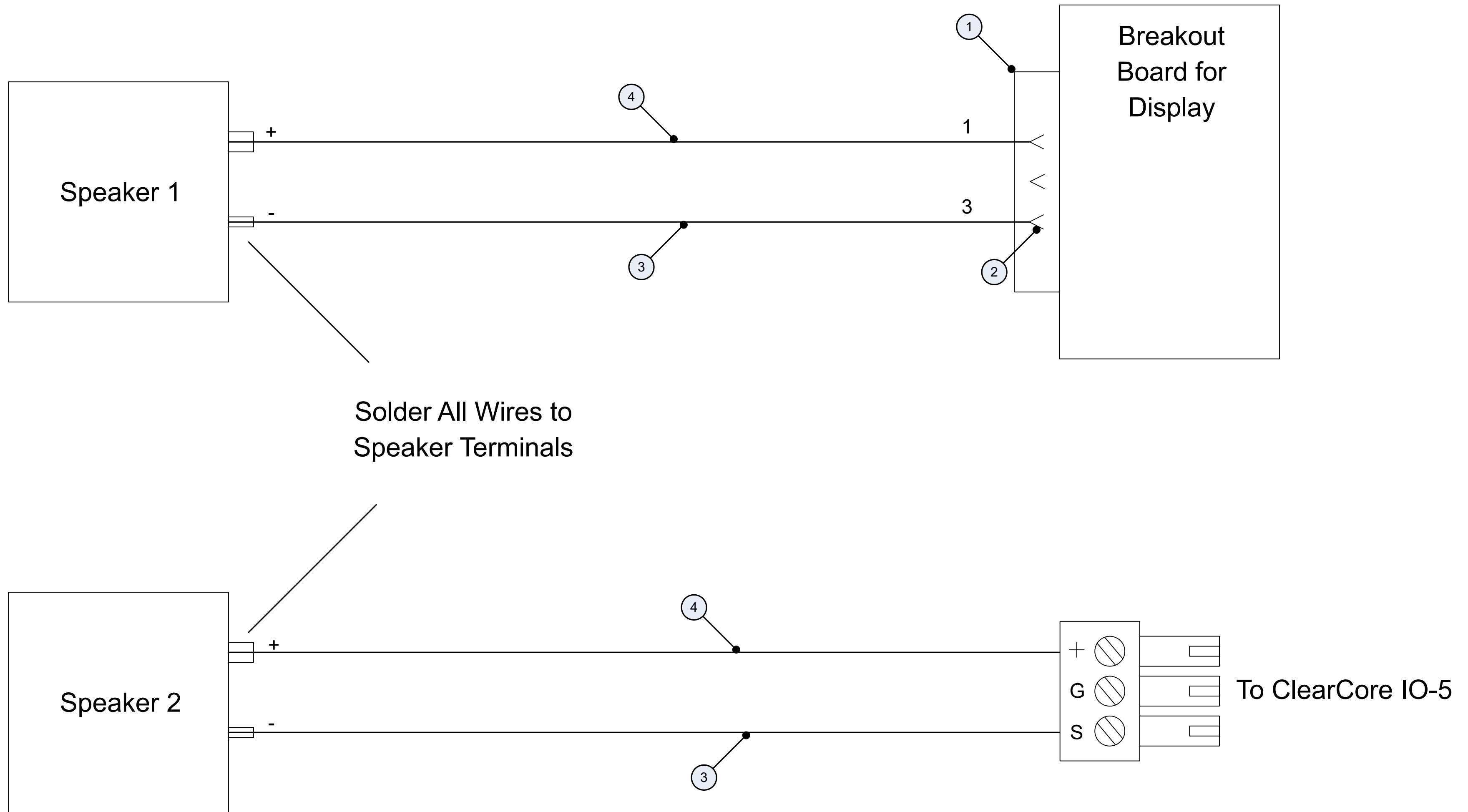
ITEM	QTY	DESCRIPTION	MFG	MFG PN	TEKNIC PN	LENGTH
------	-----	-------------	-----	--------	-----------	--------



**MANUFACTURING AND TEST NOTES**

REV	DESCRIPTION	DATE	ECO#	EDITED	REVIEW
A	Initial Drawing	6/4/2020	n/a	EG	n/a

-Any wire that will be inserted into a terminal block (ClearCore, CCI0-8) or wire insertion terminal (contactors, relays, power supplies) should be terminated with the appropriate AWG wire ferrule

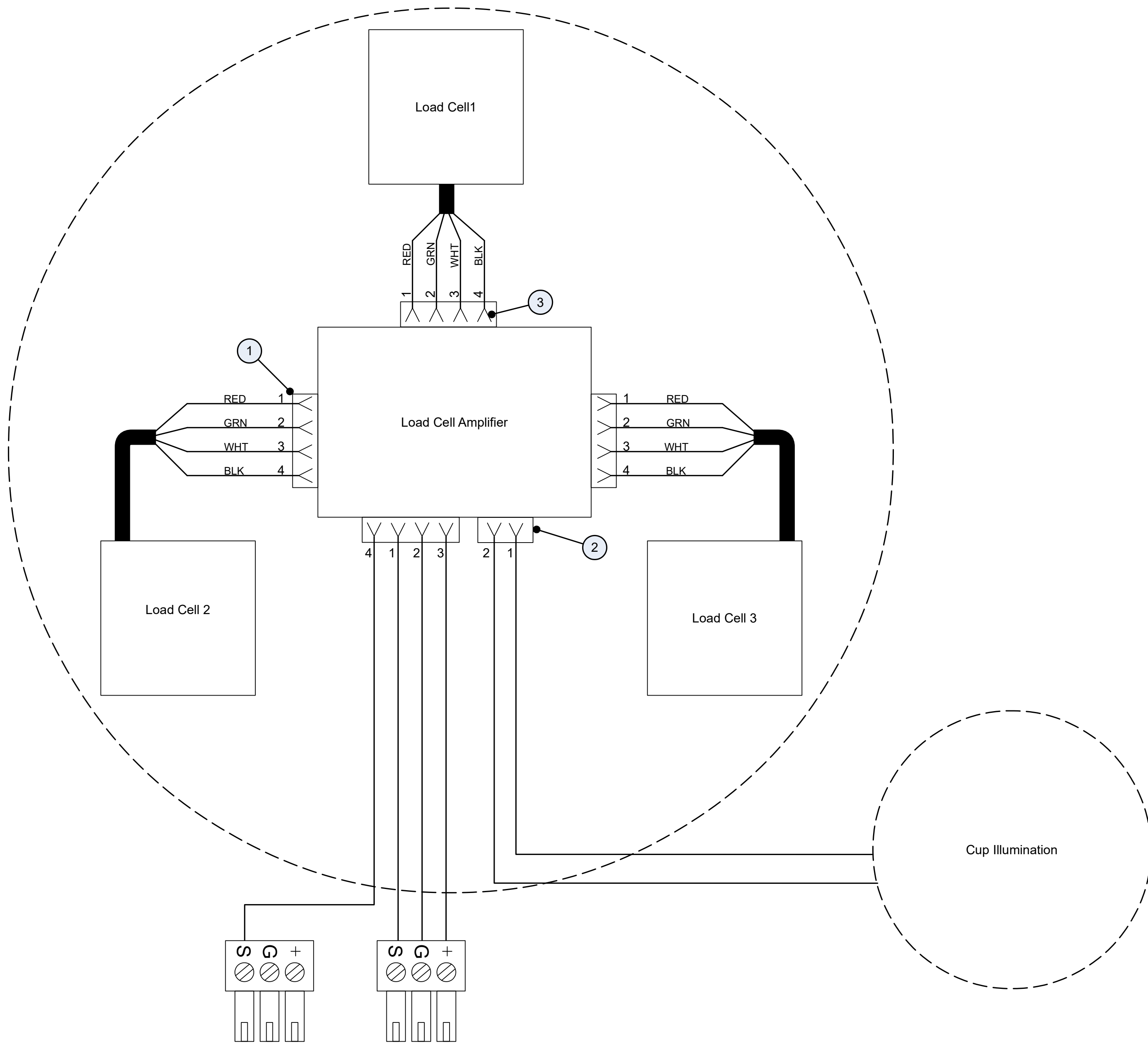


4	2	24 AWG Wire, Red			-	-
3	2	24 AWG Wire, Black			-	-
2	2	Connector Socket 20-24 AWG Crimp Gold	Molex	0430300008	-	-
1	1	Connector, 3 Position, 3mm Single Row	Molex	0436450300	-	-
ITEM	QTY	DESCRIPTION	MFG	MFG PN	TEKNIC PN	LENGTH

**MANUFACTURING AND TEST NOTES**

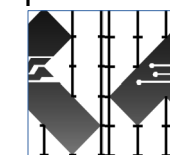
REV	DESCRIPTION	DATE	ECO#	EDITED	REVIEW
A	Initial Drawing	6/4/2020	n/a	EG	n/a

-Any wire that will be inserted into a terminal block (ClearCore, CCI0-8) or wire insertion terminal (contactors, relays, power supplies) should be terminated with the appropriate AWG wire ferrule



To ClearCore IO-3  
To ClearCore A-11

3	14	Conector Socket 22-26 AWG Crimp Gold	TE	6-87756-8	-	-
2	1	Connector Housing 2POS 0.100 Single	TE	87499-4	-	-
1	4	Connector Housing 4POS 0.100 Single	TE	87499-8	-	-
ITEM	QTY	DESCRIPTION	MFG	MFG PN	TEKNIC PN	LENGTH



**Teknic**  
+1 585 784 7454  
www.teknic.com

This document and related electronic files are the sole property of Teknic, Incorporated and contain proprietary information. It is submitted in confidence. Any duplication or use without written permission is prohibited.

Drawn by EG  
Created 6/4/2020  
Page 1 OF 10.000

Description  
System Block Diagram

Part Number  
**ClearPour**  
Rev  
**A**